



Flatbed Guidelines

In addition to legal loads, Melton is able to handle over-dimensional shipments. We have a fully staffed team of experts in our Over-Dimensional department that routes and permits your shipments for safe, on-time delivery.

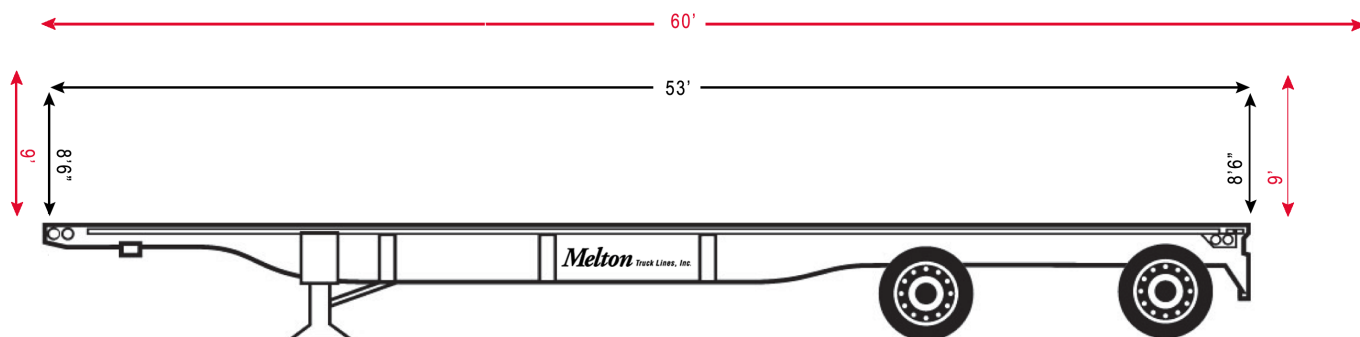
Melton's legal and maximum OD load dimensions for our flatbed trailers are:

LEGAL LOAD DIMENSIONS:

| | LENGTH | WIDTH | HEIGHT |
|--------|------------------------------|-------|--------|
| FEET | 53' | 8'6" | 8'6" |
| INCHES | 636" | 102" | 102" |
| WEIGHT | UP TO 48,000 LBS (21,770 KG) | | |

MAXIMUM OVER-DIMENSIONAL LOAD DIMENSIONS:

| | LENGTH | WIDTH | HEIGHT |
|--------|-------------------------------|-------|--------|
| FEET | 60' | 11' | 9' |
| INCHES | 720" | 132" | 108" |
| WEIGHT | *UP TO 54,000 LBS (24,494 KG) | | |



- Melton flatbeds can load up to 65' long material, but the load must be under 38,000 lbs to scale legally and must be self-supporting material.
- If a load is over 10'5" wide, it must be under 5'0" high so our driver can see behind it.
- Additional charges will apply on over-dimensional shipments.



Melton
Truck Lines, Inc.

***WEIGHT MUST BE FROM A SINGLE PIECE**