



Stepdeck Guidelines

In addition to legal loads, Melton is able to handle over-dimensional shipments. We have a fully staffed team of experts in our Over-Dimensional department that routes and permits your shipments for safe, on-time delivery.

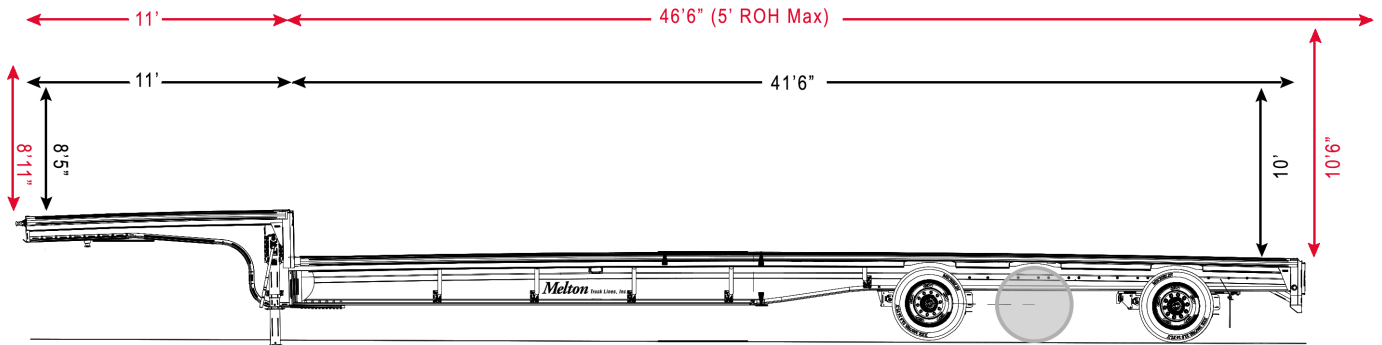
Melton's legal and maximum OD load dimensions for our stepdeck trailers are:

LEGAL LOAD DIMENSIONS:

	LENGTH	WIDTH	HEIGHT
UPPER DECK	11'	8'6"	8'5"
LOWER DECK	41'6"	8'6"	10'
WEIGHT	UP TO 48,000 LBS (21,770 KG)		

MAXIMUM OVER-DIMENSIONAL LOAD DIMENSIONS:

	LENGTH	WIDTH	HEIGHT
UPPER DECK	11'	11'	8'11"
LOWER DECK	46'6"	11'	10'6"
WEIGHT	**UP TO 54,000 LBS (24,494 KG)		



If loaded only on lower deck:

Open Axle:

- Loads weighing 48,000 lbs must be no longer than 32'
- Loads over 41'6" long must be under 32,000 lbs

Closed Axle:

- Loads weighing 48,000 lbs must be no longer than 26'
- Loads over 41'6" long must be under 28,000 lbs



Melton

Truck Lines, Inc.

***WEIGHT MUST BE FROM A SINGLE PIECE**
***IF OVER 10'5" WIDE, MUST BE UNDER 6'6" HIGH**